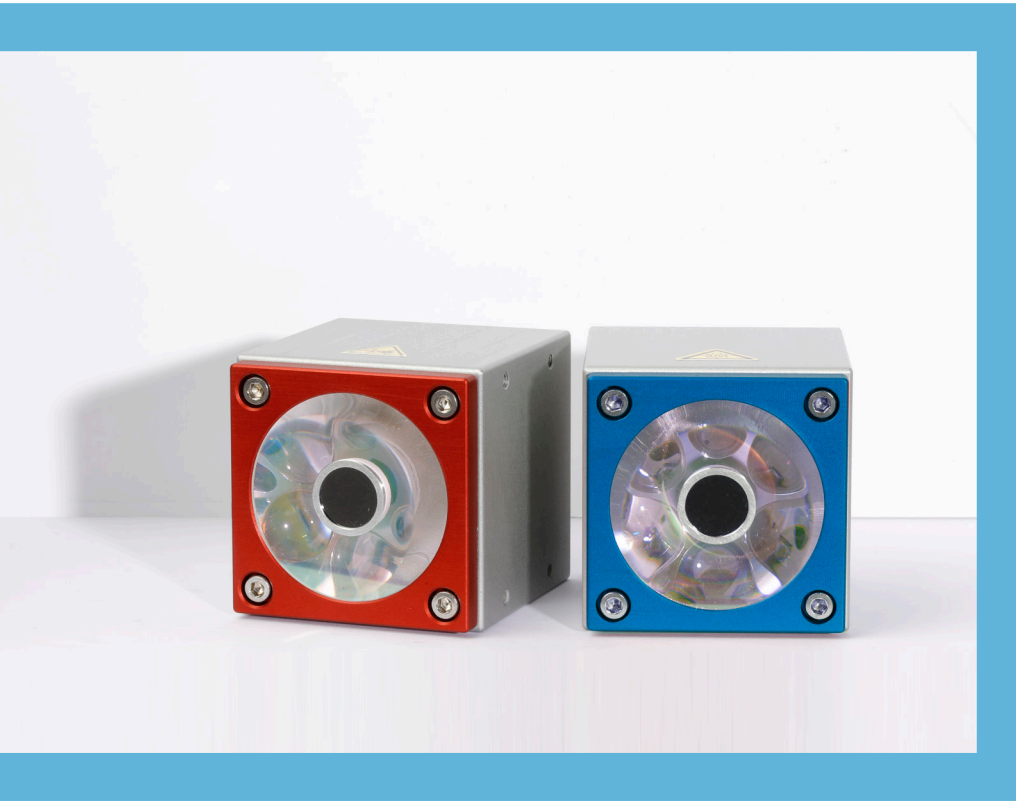


PaintChecker Industrial

Cube LEDR3.3 | Cube LEDB3.3



Our LED sensors **PaintChecker Industrial Cube** have a larger measurement field than laser versions and are particularly suitable for rough and grainy surfaces of powders and pastes.

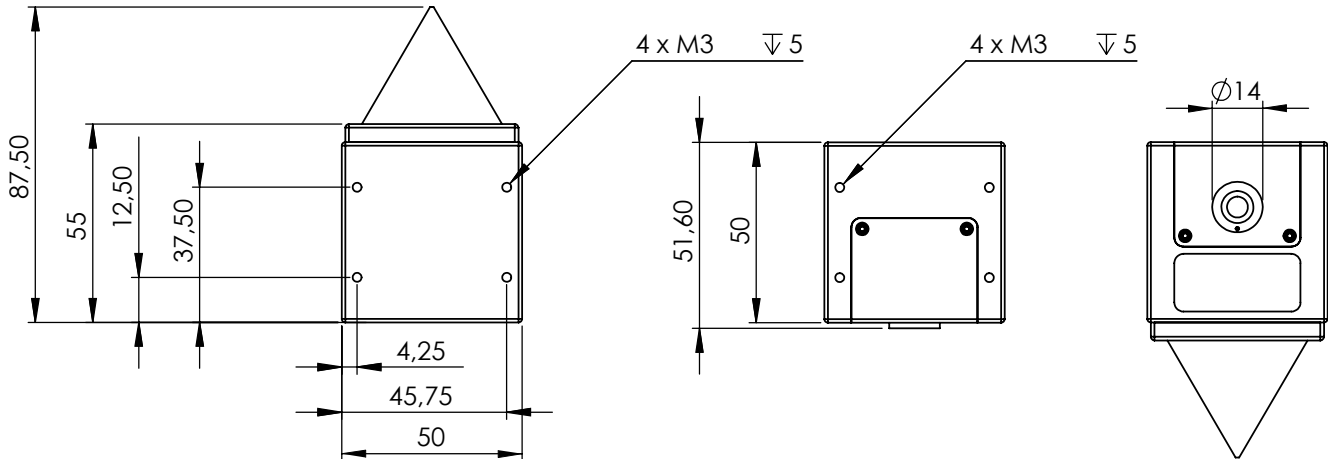
Of course, coatings on non-metallic surfaces can be measured as well. The compact sensors in the cube-shaped housing offer particularly flexible mounting thanks to the selectable orientation of the cable connector. At the same time, the large contact area ensures optimal heat dissipation.

Depending on the coating material, you can select between infrared and UV excitation models.

Technical Data | PaintChecker Industrial Cube

Model	Cube LEDR3.3	Cube LEDB3.3	Model	Cube LEDR3.3	Cube LEDB3.3
Order number	S21-0600-005	S21-0600-006	Order number	S23-0700-015	S23-0700-016
Design	LED, Cube		Distance tolerance	± 3 mm	
Measurement range	1 - 1000 µm		Angular tolerance	± 15°	
Measurement rate	max. 2.5 Hz		Max. acceleration	5 g	
Measurement time	125 - 1000 ms		Size measuring field Ø	1 mm	
Diffusor	—		Optische Leistung	850 mJ	250 mJ
Duty Cycle	33 %		Wavelength	980 nm	365 nm
Max. On-time	1s		Classification	Risk 3	Risk 3
Operating mode	pulsed operation		Eye safety	yes	
Resolution	1 % of reading (typical)		Dimensions (L x W x H)	50 x 51.6 x 55 mm	
Accuracy	3 % of reading (typical)		Weight	280 g	
Measuring distance lens	33 mm		IP Code	IP 50	

Dimensional Drawing | PaintChecker Industrial Cube LEDR3.3 | Cube LEDB3.3



Delivery Contents & Accessories

Delivery Contents

- Sensor

Accessories

- Cable with angle plug
- Calibration certificate
- Sensor holder on request



OptiSense is certified according
to DIN EN ISO 9001:2015
WEEE-Reg.-No. DE 69647320

OptiSense GmbH & Co. KG
Annabergstraße 120
45721 Haltern am See
GERMANY

Tel. +49 2364 50882-0
Mail info@optisense.com
Web www.optisense.com

